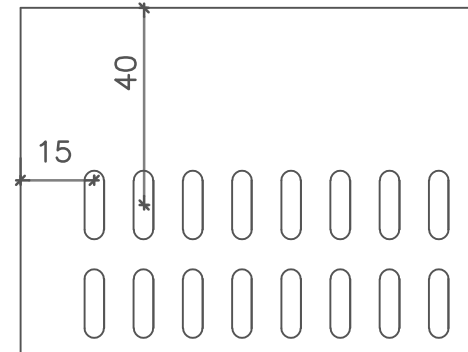
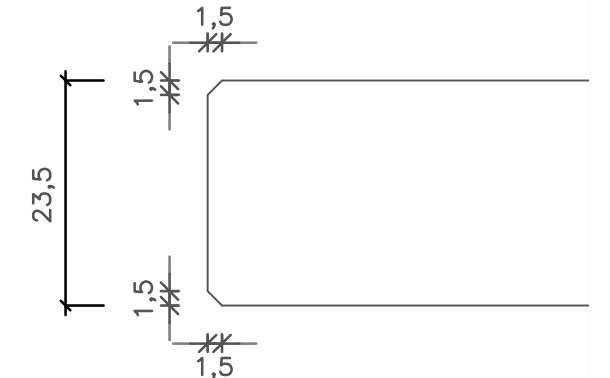


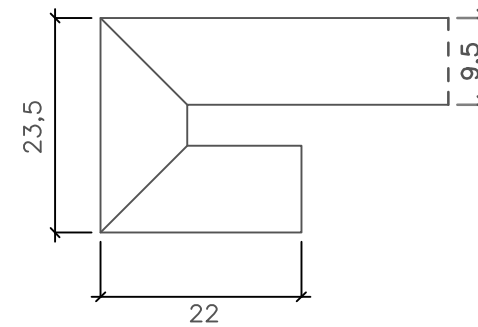
Detail A



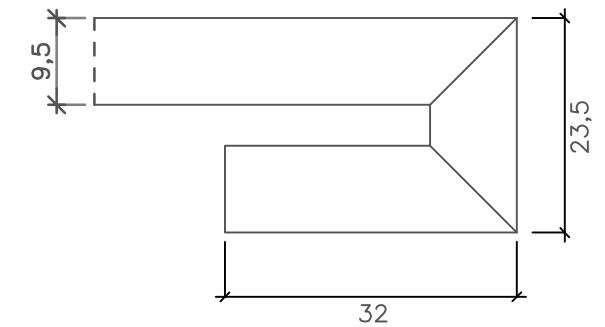
Detail B



Detail C

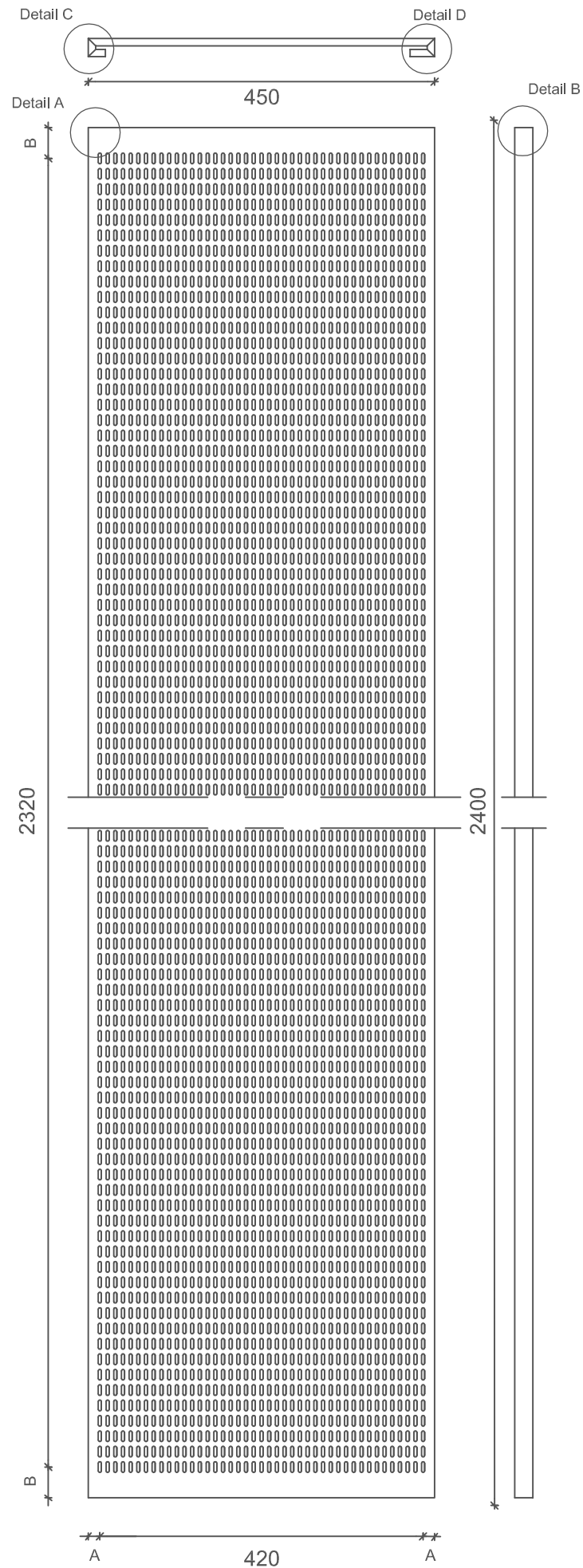


Detail D

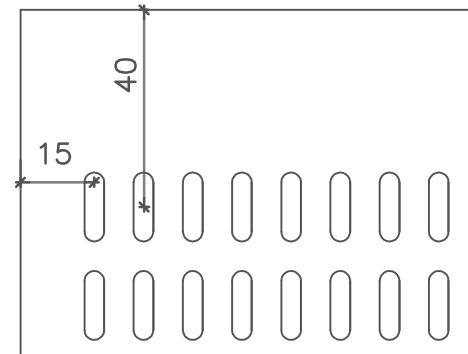


Perforation pattern: Tangent T1 (4x14mm holes cc 10/20mm)
 Perforation percentage: 23,9 %
 Edge type: Adit
 Module: 450 x 1200 x 9,5 (23,5)mm
 Visible measure (primary): 450 x 1200mm
 External measure (secondary): 450 x 1200mm
 A measure: 15mm
 B measure: 40mm
 Perforation picture: 420 x 1120mm (43 x 57 holes)

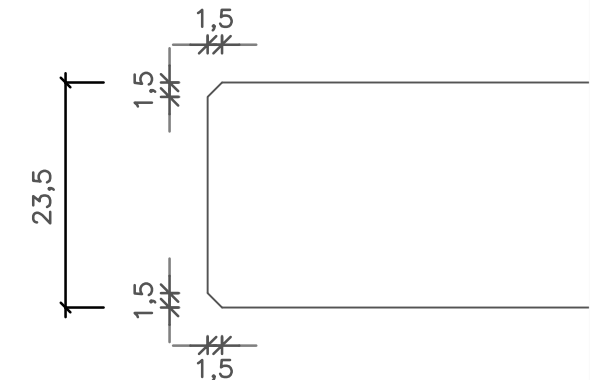
Project: Adit_450x1200_Tangent T1	MDM no.: 655954
Subject:	Scale:
	Date: 2019-02-22
	Rev.:
	Sign.: NPJ
	Project no.:
Knauf Danoline A/S Kløvermarksvej 6, DK-9500 Hobro T: +45 9657 3000 F: +45 9657 3001 www.knaufdanoline.com - info@knaufdanoline.com	File:



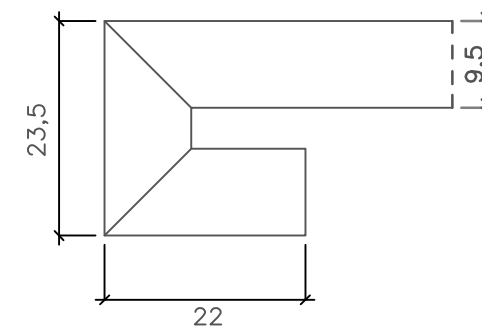
Detail A



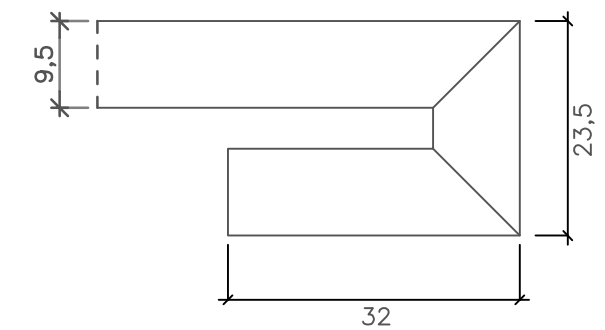
Detail B




Detail C



Detail D



Perforation pattern: Tangent T1 (4x14mm holes cc 10/20mm)
 Perforation percentage: 24,5 %
 Edge type: Adit
 Module: 450 x 2400 x 9,5 (23,5)mm
 Visible measure (primary): 450 x 2400mm
 External measure (secondary): 450 x 2400mm
 A measure: 15mm
 B measure: 40mm
 Perforation picture: 420 x 2320mm (43 x 117 holes)

Project: Adit_450x2400_Tangent T1	MDM no.: 180369
Subject:	Scale:
	Date: 2018-11-20
	Rev.:
	Sign.: NPJ
	Project no.:
Knauf Danoline A/S Kløvermarksvej 6, DK-9500 Hobro T: +45 9657 3000 F: +45 9657 3001 www.knaufdanoline.com - info@knaufdanoline.com	File: